

# 211

Non-return axial guided valve

01 System

## Technical Data Sheet



## Description

The non-return axial guided valve 211, has been developed to meet the requirements of NF anti-pollution standard.

- Operates in any position
- Minimum head loss
- Silent and robust
- Does not generate hammering
- Closing system : double axial guiding with return spring
- Excellent sealing at high as at low pressure ensured by a specially designed lip-ring seal



## 211

Non-return axial guided valve - 01 System

DN A (*) mm	PFA in bar	PS in bar				Cat.	Ref.	Weight Kg
		L1	L2	G1	G2			
10	10	10	10	10	10	4.3	<b>149B2080</b>	0,095
12	10	10	10	10	10	4.3	<b>149B2081</b>	0,070
15	10	10	10	10	10	4.3	<b>149B2082</b>	0,110
22	10	10	10	10	10	4.3	<b>149B2083</b>	0,160
28	10	10	10	x	10	3.3	<b>149B2084</b>	0,240

(\*) Copper tube external DN

### Important notice :

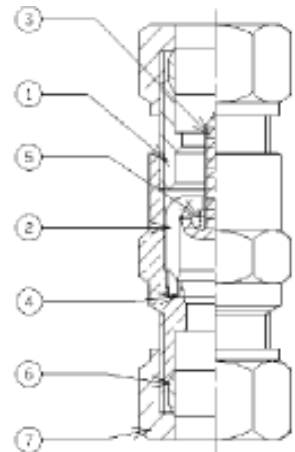
The indicated pressure for the different categories of fluids (L1/L2/G1/G2) is under no condition a guarantee of use. Therefore, it is essential to validate the use of products under given operating conditions. The operating instructions are available on our web site [www.socla.com](http://www.socla.com) or by requesting from our sales department.

### Technical features

Operating temperature	-10 °C to 80 °C
Permissible operating pressure (PFA) in water	See table above
Maximum permissible pressure (PS) other mediums	See table above
Connection	Compression fittings
Mediums	Clear liquids, water, gas

### Nomenclature and materials

N°	Description	Materials	EURO	ANSI
1	Body	DZR Brass	CuZn36Pb2As	UNS C 35 330
2	Guide	Hostaform		
3	Closing system	Hostaform		
4	Seal	DN 22 and 28 mm	NBR Nitrile	
		Others sizes	EPDM	
5	Spring	Stainless steel	X10CrNi185-8	AISI 302
6	Ring	Brass	CuZn36Pb2As	UNS C 35 330
7	Nut	Brass	CuZn36Pb2As	UNS C 35 330



**International construction Standards :**  
NF Antipollution according to NF EN 13959

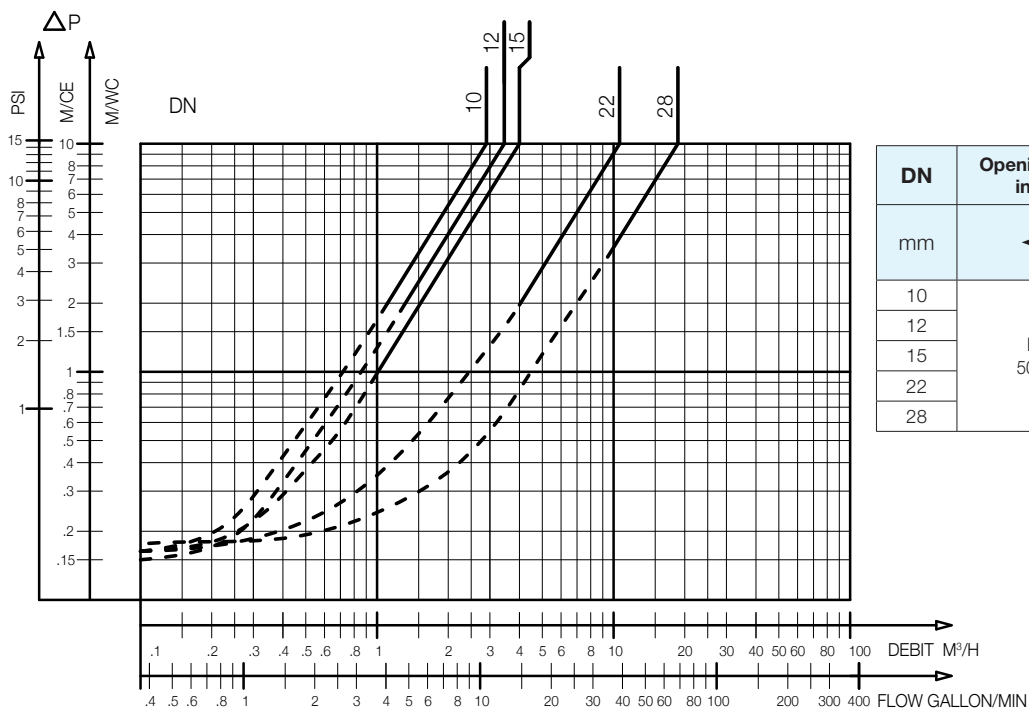
## Application

Protection of drinking water networks, heating, industry.

## Operation

**Direction for use :**

- Solid line : Valve completely open
- Dotted line : opening stage of valve

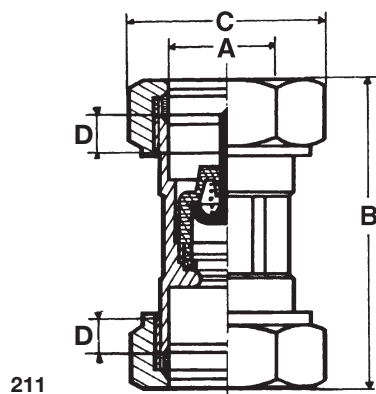


DN	Opening pressure in mm CE	Kv	ζ
mm		m³/H	
10	Between 50 and 200	2,90	1,90
12		3,45	2,80
15		4	4,95
22		10,60	3,40
28		18,70	2,80

211 - Headloss chart

## Sizing

A	B	C	D
mm	mm	mm	mm
10	57,5	20	7,5
12	59,0	20	7,5
15	61,0	24	12,5
22	64,0	32	12,5
28	64,0	41	12,5



The descriptions and photographs contained in this product specification sheet are supplied by way of information only and are not binding.

Socla reserves the right to carry out any technical and design improvements to its products without prior notice. Warranty : All sales and contracts for sale are expressly conditioned on the buyer's assent to Socla terms and conditions found on its website at [www.socla.com](http://www.socla.com). Socla hereby objects to any term, different from or additional to Socla terms, contained in any buyer communication in any form, unless agreed to in a writing signed by an officer of Socla.



**A WATTS Brand**

**Socla sas**

365 rue du Lieutenant Putier • 71530 Virey-Le-Grand • France

Tel. +33 03 85 97 42 00 • Fax +33 03 85 97 42 42

[contact@wattswater.com](mailto:contact@wattswater.com) • [www.socla.com](http://www.socla.com)

ISO 9001 version 2015 / ISO 18001