

# 208 P

Non-return ball valve

B System

## Technical Data Sheet



## Description

The non-return ball valve 208P consists of a self-cleaning ball lifted by the fluid and guided to a lateral seat, completely out of the way. This system provides a full-flow, even with loaded fluids, without any risk of blockage.

- Vertical and horizontal operation (position of the ball above the axis of the pipe)
- Minimum head loss
- Silent, robust
- Non incrustating materials
- Sealing ensured by elastomer coating on the ball



## 208 P

Non-return ball valve - B System

DN	PN	PFA in bar	PS in bar				Cat.	Ref.	Weight Kg	
			L1	L2	G1	G2				
1	25	6	6	6	6	6	4.3	<b>149B5221</b>	0,60	
1 1/4	32	6	6	6	6	x	6	4.3	<b>149B5222</b>	0,50
1 1/2	40	6	6	6	6	x	6	4.3	<b>149B3448</b>	0,60
2	50	6	6	6	6	x	6	4.3	<b>149B5224</b>	0,79
2 1/2	65	6	6	6	6	x	6	4.3	<b>149B5225</b>	1,50
3	80	6	6	6	6	x	6	4.3	<b>149B3456</b>	2,80

### Important notice :

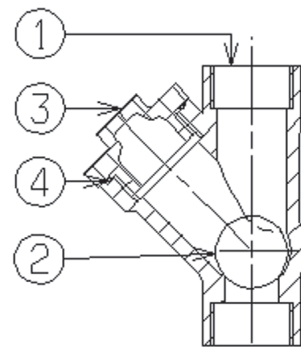
The indicated pressure for the different categories of fluids (L1/L2/G1/G2) is under no condition a guarantee of use. Therefore, it is essential to validate the use of products under given operating conditions. The operating instructions are available on our website [www.socla.com](http://www.socla.com) or by requesting from our sales department.

### Technical features

Operating temperature	-10°C to 60°C
Permissible operating pressure (PFA) in water	See table above
Maximum permissible pressure (PS) other mediums	See table above
Connection	Female / female, BSP
Mediums	Wasted water, viscous products

### Nomenclature and materials

N°	Description	Materials	EURO	ANSI
1	Body	PVC		
2	Ball	DN 1"-1"1/4 Others DN	Cast iron / NBR Aluminium / NBR	
3	Cover	PVC		
4	Seal	NBR (nitrile)		



## Approvals



**International construction Standards :**  
Directive 2014/68/UE  
Regulation 305/2011/UE Standard EN12050-4  
Thread connection according to NF E 03-005 ISO228

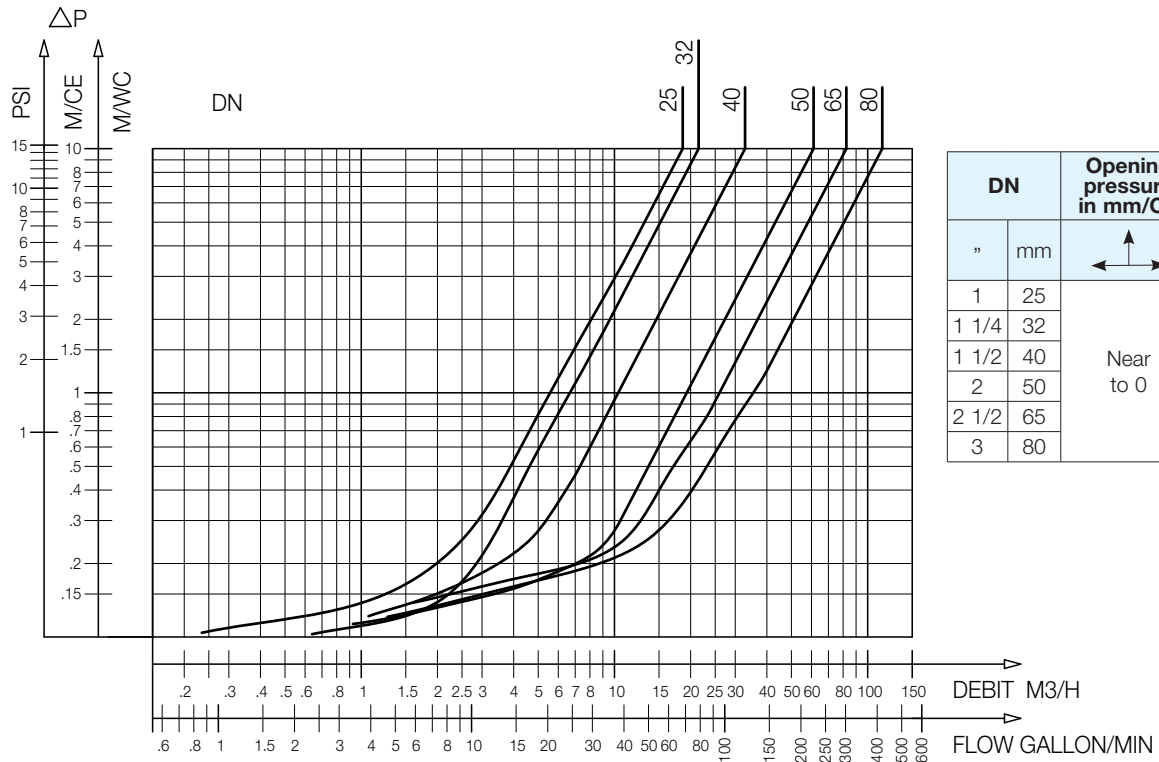
## Application

Wasted water, viscous products.

## Operation

**Direction for use :**

- Solid line: Valve completely open

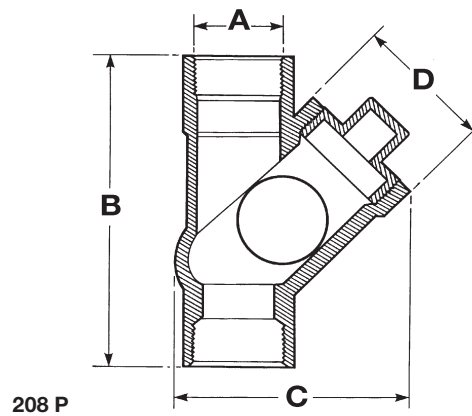


DN		Opening pressure in mm/CE	Kv	ζ
"	mm		m <sup>3</sup> /H	
1	25	Near to 0	18,6	1,88
1 1/4	32		21,6	3,6
1 1/2	40		32,2	4
2	50		62	2,6
2 1/2	65		82,4	4,2
3	80		114,2	5

208 P - Headloss chart

## Sizing

A		B	C	D
"	mm	mm	mm	mm
1	26/34	204	114	65,5
1 1/4	33/42	143	114	65,5
1 1/2	40/49	154	135	80
2	50/60	179	160	88,5
2 1/2	66/76	198	189	110
3	80/90	276	225	133



The descriptions and photographs contained in this product specification sheet are supplied by way of information only and are not binding.

Socla reserves the right to carry out any technical and design improvements to its products without prior notice. Warranty : All sales and contracts for sale are expressly conditioned on the buyer's assent to Socla terms and conditions found on its website at [www.socla.com](http://www.socla.com). Socla hereby objects to any term, different from or additional to Socla terms, contained in any buyer communication in any form, unless agreed to in a writing signed by an officer of Socla.



**A WATTS Brand**

**Socla sas**

365 rue du Lieutenant Putier • 71530 Virey-Le-Grand • France

Tel. +33 03 85 97 42 00 • Fax +33 03 85 97 42 42

[contact@wattswater.com](mailto:contact@wattswater.com) • [www.socla.com](http://www.socla.com)

ISO 9001 version 2015 / ISO 18001