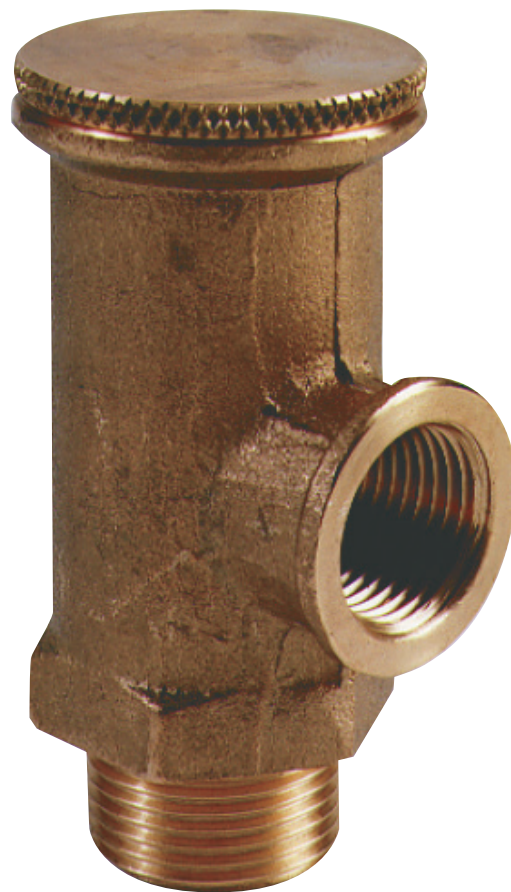


14 BIS HP / 14 BIS HP PL

Safety valve with progressive opening

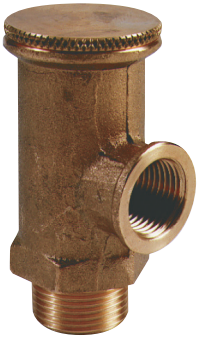
Technical Data Sheet



Description

The Safety valve 14 BIS HP / 14 BIS HP PL can be installed in any position and adjustable :

- 14 BIS HP delivered unset, not safety sealed, settings from 2 to 15 bar
- 14 BIS HP PL delivered preset and safety sealed, settings from 2 to 15 bar (standard settings : 4, 7 or 10 bar, other settings to be specified while ordering)



14 BIS HP / 14 BIS HP PL

Safety valve with progressive opening

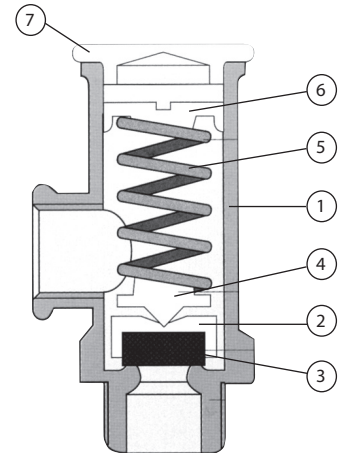
| DN | | PFA in bar | Ref. 14 BIS HP | Ref. 14 BIS HP PL | Weight Kg |
|-----|----|---------------|-------------------|----------------------|--------------|
| " | mm | | | | |
| 3/8 | 10 | 16 | 149B7089 | 149B7255 | 0,165 |
| 1/2 | 15 | 16 | 149B7095 | 149B7096 | 0,170 |
| 3/4 | 20 | 16 | 149B56836 | 149B7106 | 0,290 |
| 1 | 25 | 16 | 149B7113 | 149B7114 | 0,450 |

Technical features

| | |
|---|---|
| Operating temperature | Mini. : -10 °C / Maxi en service continu : 80 °C |
| Permissible operating pressure (PFA) in water | Voir tableau ci-dessus |
| Connection | Entrée mâle/sortie femelle, gaz cylindrique G (BSP) |
| Mediums | Water, other mediums : consult us |

Nomenclature and materials

| N° | Designation | Materials | EURO | ANSI |
|----|------------------|-----------------|-------------|------------|
| 1 | Body | Bronze | CuSn5Zn5Pb5 | ASTM B 505 |
| 2 | Seal box | Brass | CuZn39Pb3 | ASTM B 124 |
| 3 | Seal | NBR (Nitrile) | | |
| 4 | Centering system | Brass | CuZn39Pb3 | ASTM B 124 |
| 5 | Spring | Stainless steel | X10CrNi18-8 | AISI 302 |
| 6 | Adjusting screw | Brass | CuZn39Pb3 | ASTM B 124 |
| 7 | Plug | Brass | CuZn39Pb3 | ASTM B 124 |



Approvals

ACS

International construction Standards :

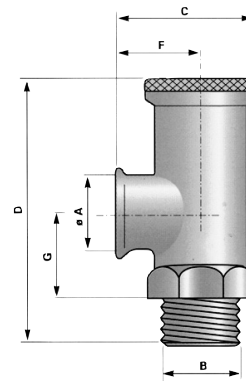
Thread connection EN ISO 228

Application

The Safety valve 14 BIS HP / 14 BIS HP PL is for the water distribution and hot water heating systems.

Sizing

| DN | ØB | ØA | C | D | F | G |
|-----|-------|-------|----|----|----|------|
| " | mm | mm | mm | mm | mm | mm |
| 3/8 | 12/17 | 12/17 | 40 | 71 | 24 | 20 |
| 1/2 | 15/21 | 12/17 | 40 | 71 | 24 | 20 |
| 3/4 | 20/27 | 15/21 | 48 | 83 | 28 | 26,5 |
| 1 | 26/34 | 20/27 | 57 | 95 | 33 | 31,5 |



14 BIS HP
14 BIS HP PL

The descriptions and photographs contained in this product specification sheet are supplied by way of information only and are not binding.

Socla reserves the right to carry out any technical and design improvements to its products without prior notice. Warranty : All sales and contracts for sale are expressly conditioned on the buyer's assent to Socla terms and conditions found on its website at www.socla.com. Socla hereby objects to any term, different from or additional to Socla terms, contained in any buyer communication in any form, unless agreed to in a writing signed by an officer of Socla.



A WATTS Brand

Socla sas

365 rue du Lieutenant Putier • 71530 Virey-Le-Grand • France

Tel. +33 03 85 97 42 00 • Fax +33 03 85 97 42 42

contact@wattswater.com • www.socla.com

ISO 9001 version 2015 / ISO 18001